

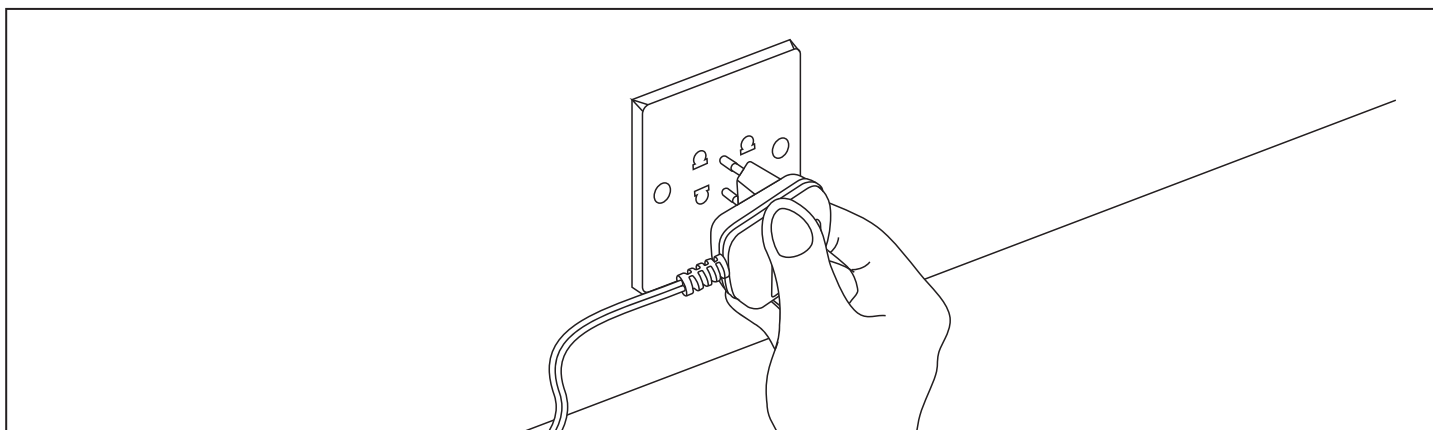
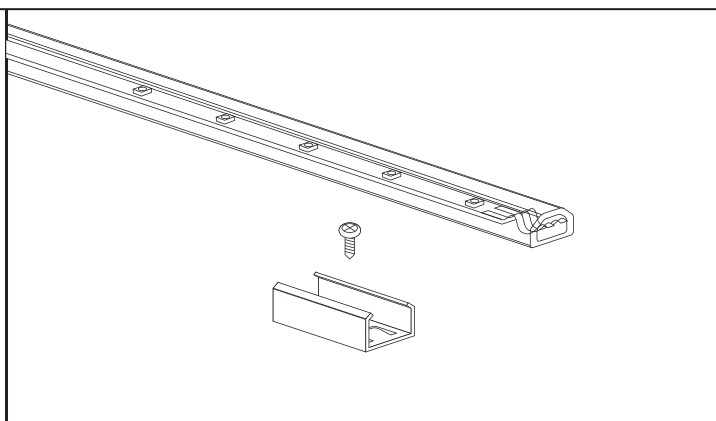
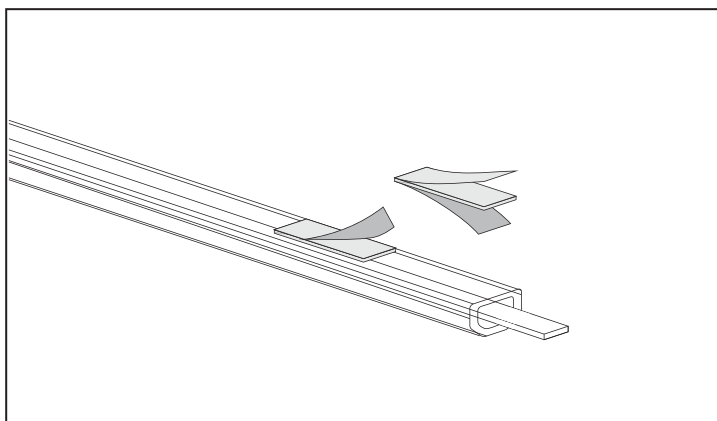
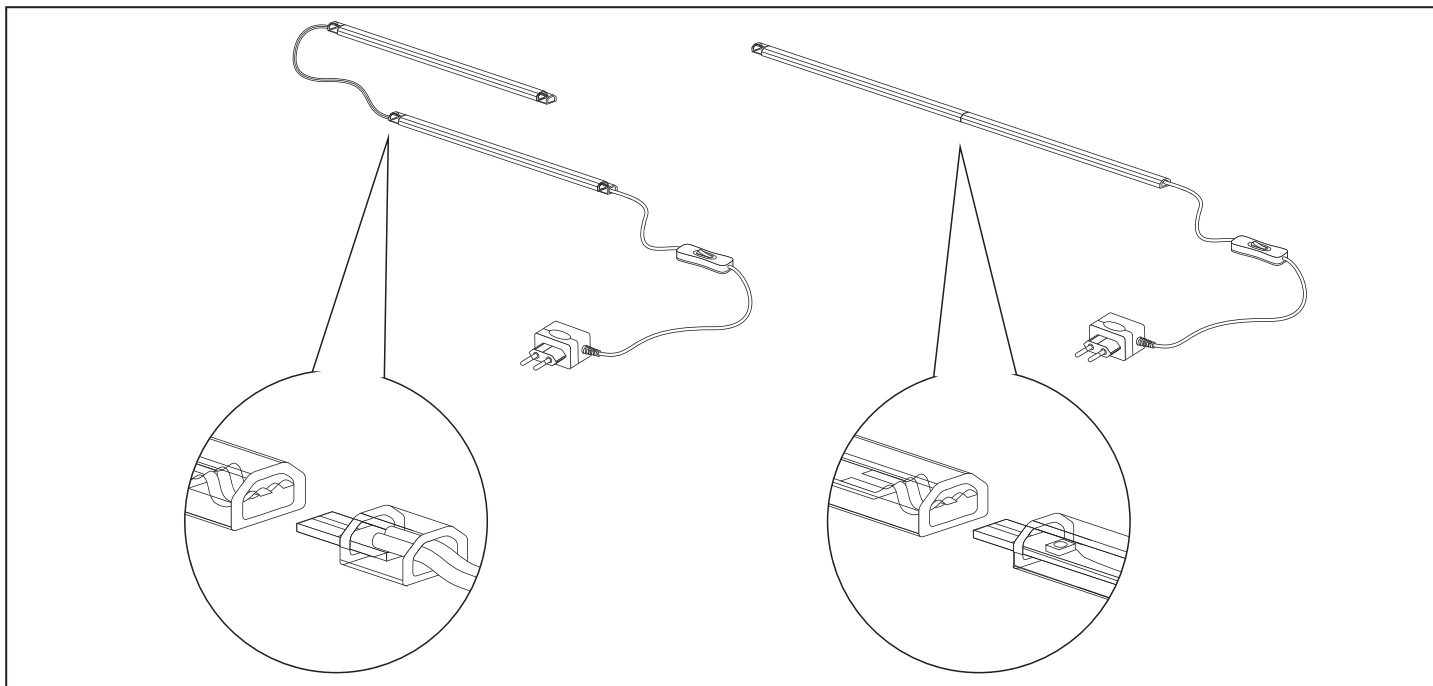
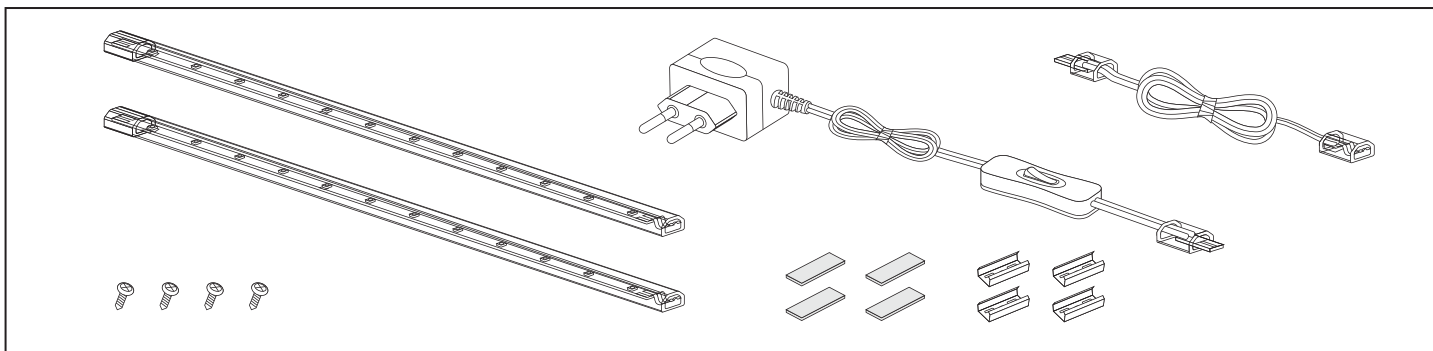


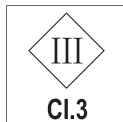
IP20

2,8W

input: 220 - 240V
output: 12V DC

Installation for: 211214124





IP20

2,8W

input: 220 - 240V
output: 12V DC

Installation for: 211214124

This product contains a light source of energy efficiency class:	Contained light source:
G	